



Date : 26th January 2018

Time: 16:00

Subject : Bulletin No. 3

Document 3

From : Clerk of Course

To: All Competitors/crew members

Bulletin nr.3

Amendments to Roadbook

On page 27 of the Roadbook, following changes have been done to the boxes:

Tulips nr. 117-118-119-120-121 have been edited on a separate page, provided with the same Roadbook.

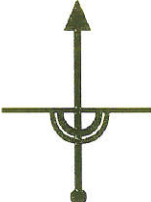
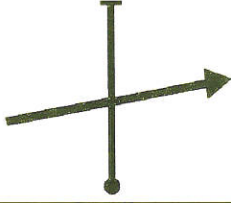


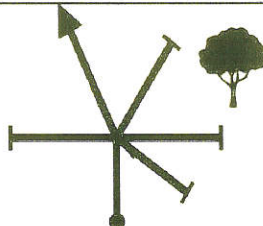
Please insert these added boxes in the proper order on page 27..

Total distance between box 116 and 122 is correct.

See attachment.

Rashid Al Sulaiti

Clerk of Course

	SS1	* * *
75,36 <small>117</small> 0,22		2 X !!!
75,58 <small>118</small> 0,36		!
75,94 <small>119</small> 0,28		
76,64 <small>120</small> 0,70		
77,16 <small>121</small> 0,52		C 163°