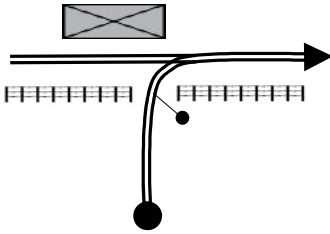
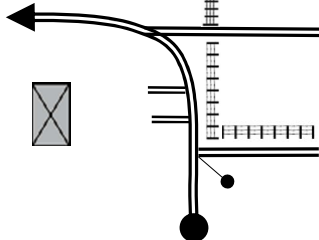
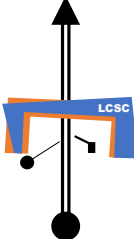
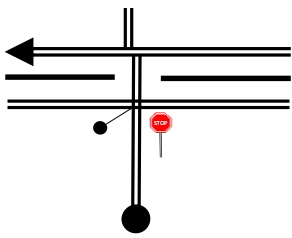
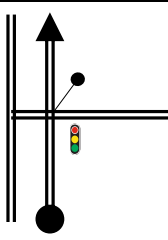
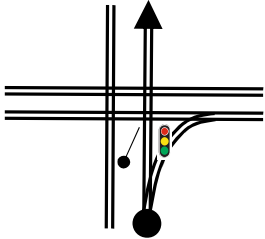
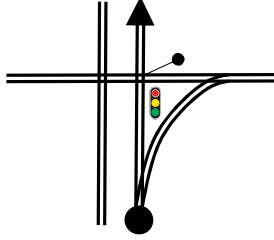
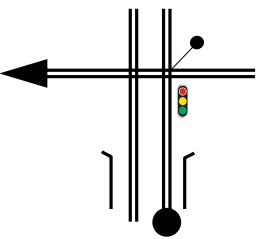


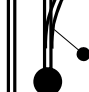
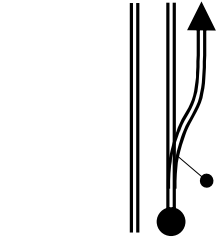
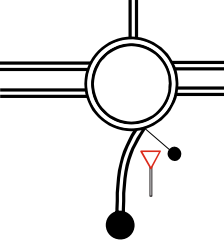
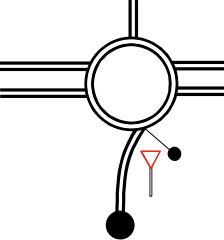
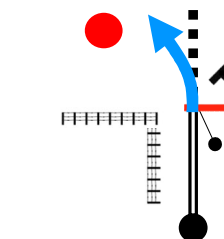
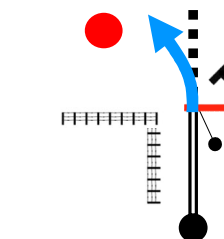
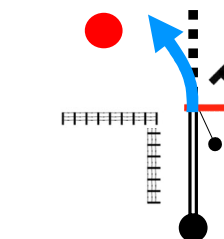


1	LCSC - QS Meeting Point	16,43 km
<p>0,00</p>		<p>TRIP ZERO</p>
<p>0,00 ↓</p>		
<p>0,09</p>		
<p>0,09 ↓</p>		
<p>0,72</p>		
<p>0,87</p>		
<p>0,15 ↓</p>		
<p>1,17</p>		
<p>0,30 ↓</p>		

NEXT 0,49

2	LCSC - QS Meeting Point	14,77 km
1,66		
0,49 ↓		<p><u>Direction</u> Al Khor (North)</p>
1,91		<p><u>Direction</u> Al Khor</p>
2,01		<p><u>Direction</u> Al Thakira Al Khor Semaisma</p>
0,10		<p><u>Direction</u> Al Thakira Al Khor Semaisma</p> <p>EXIT 40</p>
8,35		<p><u>Direction</u> Al Thakira Al Khor Tenbek</p> <p>EXIT 42</p>
10,30		<p><u>Direction</u> Al Thakira Al Khor Tenbek</p> <p>EXIT 42</p>
1,95		<p><u>Direction</u> Al Thakira Al Khor Tenbek</p> <p>EXIT 42</p>

NEXT 5,02

3	LCSC - QS Meeting Point	1,11 km
15,32		<p><i>Direction</i> Tenbek Halat Awbair</p> <p>EXIT 47</p>
5,02		<p><i>Direction</i> Halat Awbair</p>
16,08		<p><i>Direction</i> Halat Awbair</p>
0,76 ↓		<p>● QS Recce Meeting Point</p> <p>25° 36.103'N 51° 28.915'E</p>
16,43		<p>● QS Recce Meeting Point</p> <p>25° 36.103'N 51° 28.915'E</p>
0,35		<p>● QS Recce Meeting Point</p> <p>25° 36.103'N 51° 28.915'E</p>